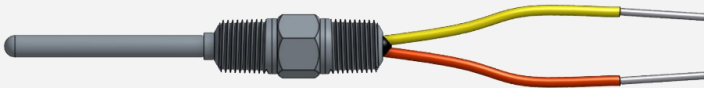


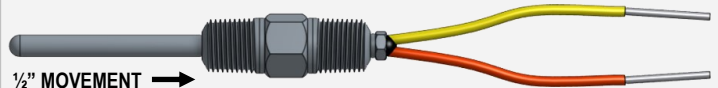
# INDUSTRIAL ASSEMBLY WITHOUT THERMOWELL

## STYLE

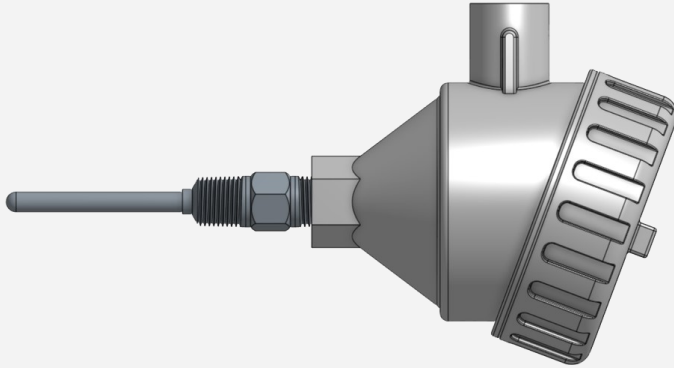
**24** - 1/2"x1/2" MNPT SS FIXED FITTING



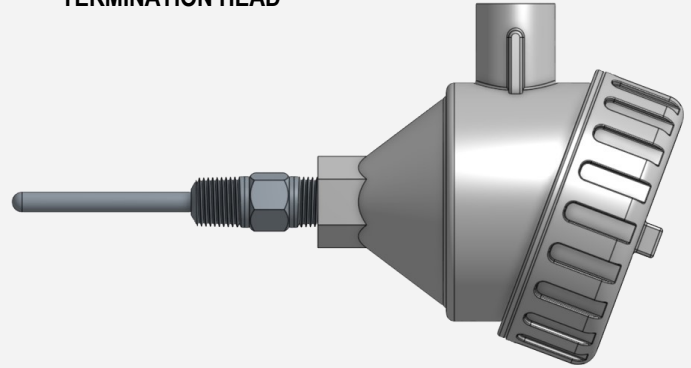
**28** - 1/2"x1/2" MNPT SS SPRING LOADED HEX FITTING



**25** - 1/2"x1/2" MNPT SS FIXED FITTING & TERMINATION HEAD



**29** - 1/2"x1/2" MNPT SS SPRING LOADED HEX FITTING & TERMINATION HEAD



## I.S.A. CALIBRATION

- |                                 |                                |
|---------------------------------|--------------------------------|
| <b>E</b> - CHROMEL / CONSTANTAN | <b>K</b> - CHROMEL / ALUMEL    |
| <b>J</b> - IRON / CONSTANTAN    | <b>T</b> - COPPER / CONSTANTAN |

## MATERIAL

- |                                 |                                 |
|---------------------------------|---------------------------------|
| <b>30</b> - 304 STAINLESS STEEL | <b>32</b> - 316 STAINLESS STEEL |
| <b>31</b> - 310 STAINLESS STEEL | <b>39</b> - INCONEL             |

## NUMBER OF ELEMENTS

- |                   |                 |
|-------------------|-----------------|
| <b>S</b> - SINGLE | <b>D</b> - DUAL |
|-------------------|-----------------|

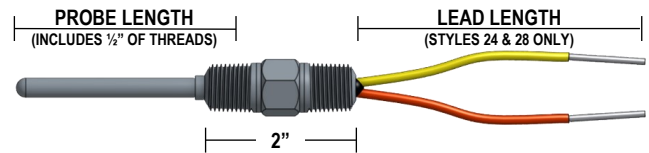
## SHEATH DIAMETER

- |                   |                   |                   |
|-------------------|-------------------|-------------------|
| <b>3</b> - 0.062" | <b>5</b> - 0.188" | <b>7</b> - 0.313" |
| <b>4</b> - 0.125" | <b>6</b> - 0.250" | <b>8</b> - 0.375" |

## JUNCTION TYPE

- |                       |   |
|-----------------------|---|
| <b>G</b> - GROUNDED   | <b>RR</b> - UNGROUNDED (DUAL ISOLATED PAIR) |
| <b>R</b> - UNGROUNDED |   |

## ASSEMBLY SIZING



## TERMINATION HEAD

PROVIDED WITH 3/4" NPT CONDUIT UNLESS SPECIFIED

- A** - LARGE ALUMINUM — WEATHERPROOF
- C** - LARGE CAST IRON — WEATHERPROOF
- SA** - SMALL ALUMINUM — WEATHERPROOF
- SC** - SMALL CAST IRON — WEATHERPROOF
- SS** - SMALL SS — WEATHERPROOF
- SAEXP** - ALUMINUM — EXPLOSION PROOF
- SSEXP** - SS — EXPLOSION PROOF

FOR STYLES 25 & 29 ONLY.  
TERMINATION HEADS COME WITH STANDARD CERAMIC TERMINAL. CONTACT A THERMO-PROBES SALES REPRESENTATIVE FOR MORE OPTIONS.

PROBE STYLE	I.S.A. CALIB.	MATERIAL	# OF ELEMENTS	SHEATH DIAMETER	PROBE LENGTH (IN)	JUNCTION TYPE	STYLE 24/28: LEAD LENGTH STYLE 25/29: TERM. HEAD